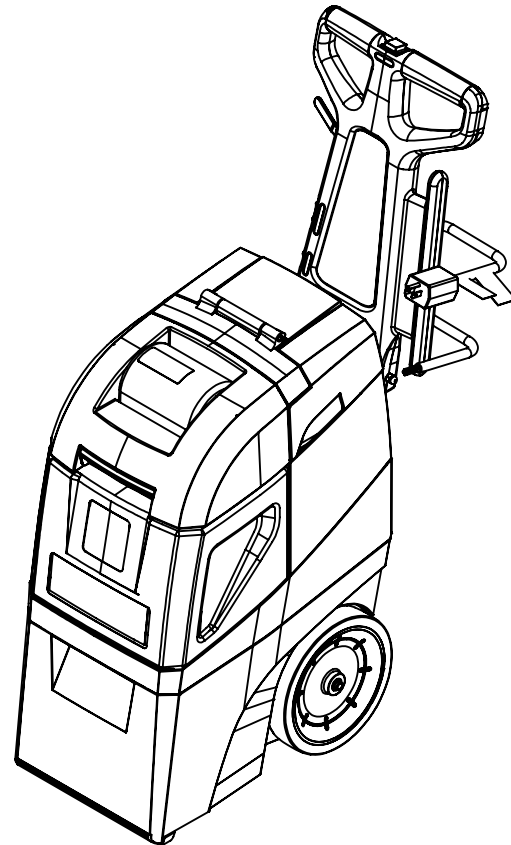




4701 Old Shepard Place
Plano, TX 75093



BLUE X3 CARPET CLEANING MACHINE
MODEL # 93083
PARTS MANUAL # 12239

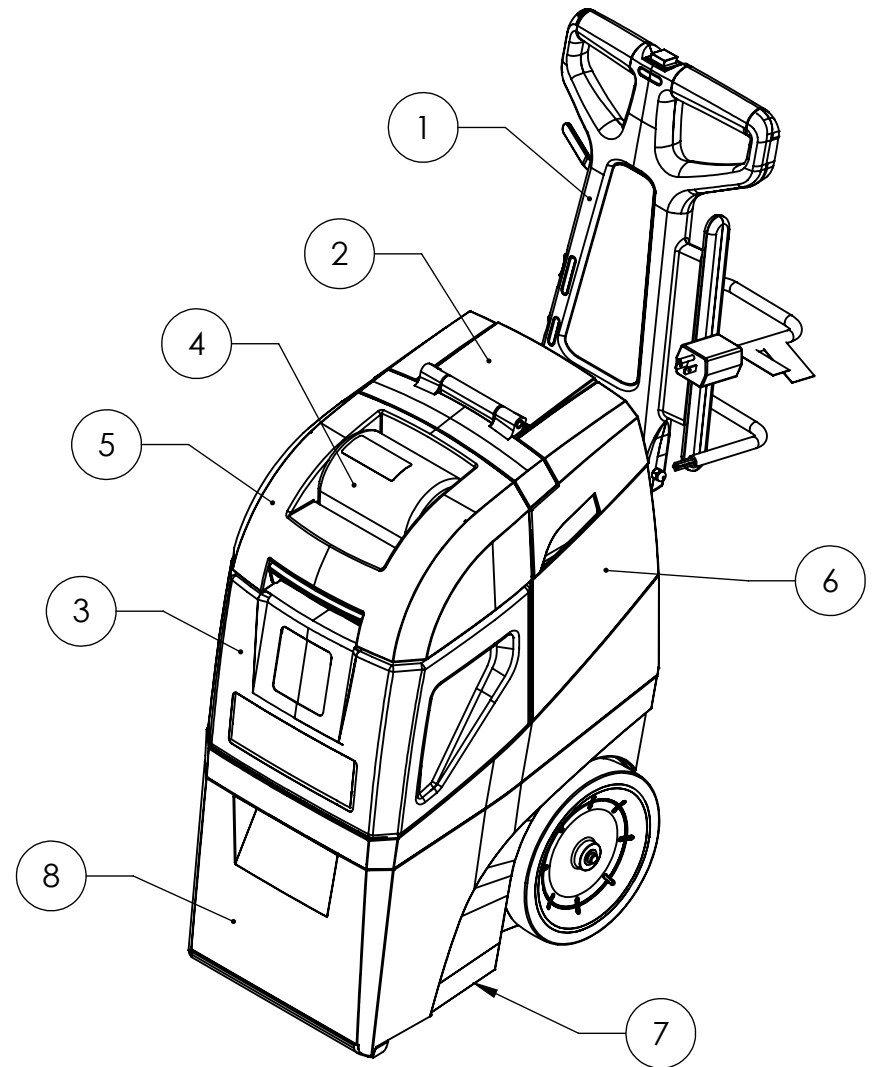


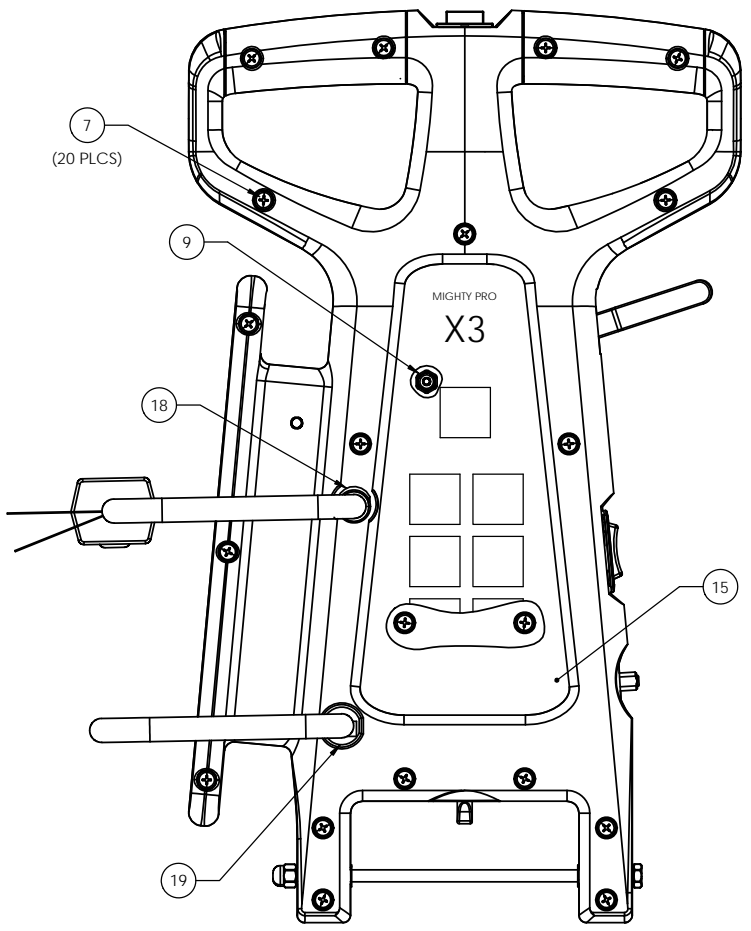
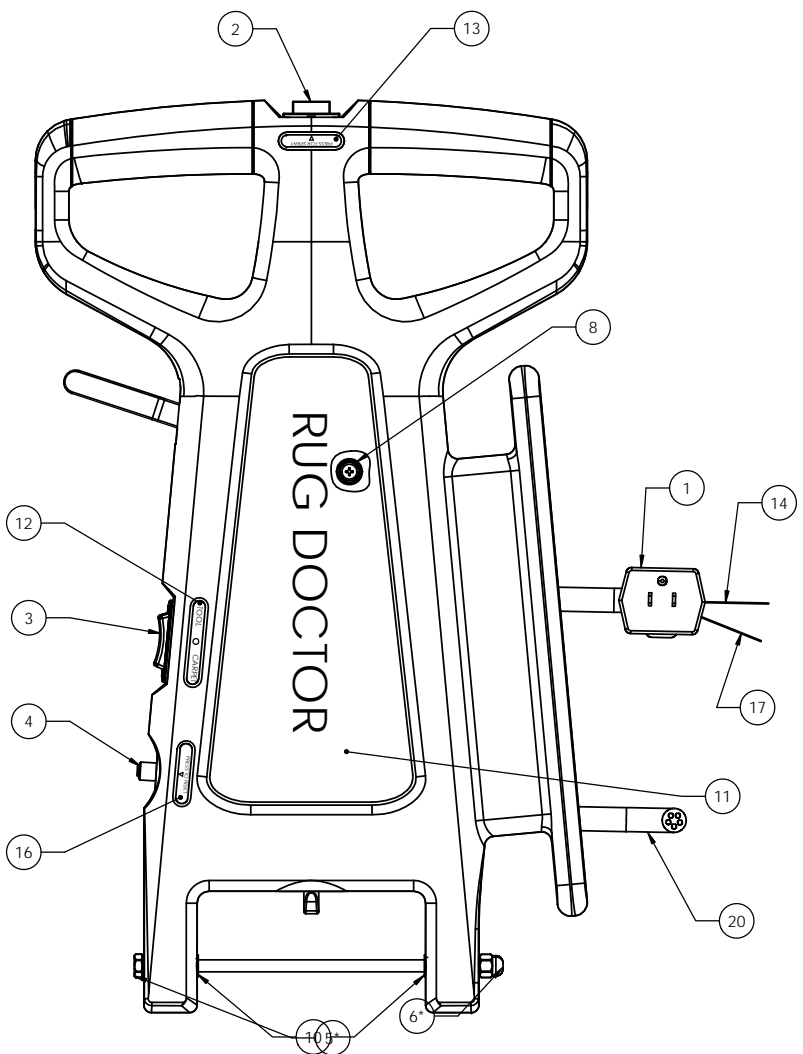
4701 Old Shepard Place
Plano, TX 75093

BLUE X3 MODEL # 93083
PARTS MANUAL # 12239

CONTENTS:

1. HANDLE ASSY
2. VAC COVER ASSY
3. RECOVERY TANK ASSY
4. DOME ASSY
5. HOOD ASSY
6. MAIN SUPPORT ASSY
7. BOTTOM PAN ASSY
8. LOWER TANK ASSY





* ORDER SEPARATELY

93082, COMPLETE HANDLE ASSY WITH CORDS AND LABELS

REPLACEMENT PARTS AVAILABLE:			
ITEM	PART #	DESCRIPTION	QTY
1	91651	ALCI PLUG & CORD, 28 FT, FOR X3	1
2	51060	SWITCH, PB, RED	1
3	51107	SWITCH, ROCKER, ON-OFF-ON	1
4	51129	CIRCUIT BREAKER, 15 AMP	1
5*	20386	BOLT, 1/4-20 X 7-1/2"	1
6*	20859	ACORN NUT 1/4-20	1
7	20962	SCREW, 10-16 X 3/4" SST PHILLIPS HEAD	20
8	20966	SCREW, 8-32 X 7/8" SST SLOT BUTTON HEAD	1
9	20241	NUT NYLOCK 8-32 SST	1
10	41189	BUSHING	2
11	77011	LABEL, RD FRONT LOGO	1
12	77010	LABEL, ON-OFF CRPT/UPH	1
13	77008	LABEL, PRESS FOR SPRAY	1
14	77007	LABEL, CAUTION/GROUND	1
15	77003	LABEL, REAR, CARPET CONN/UPHOLSTERY INSTRUCTIONS	1
16	77002	LABEL, CB RESET	1
17	76815	LABEL, WARNING PROP 65	REF
18	60795	GROMMET HEYCO 1232	1
19	60794	GROMMET HEYCO 1497	1
20	55321	5-CONDUCTOR CORD	1

93082, COMPLETE HANDLE ASSY			
TORQUE VALUES			
ITEM	PART #	DESCRIPTION	VALUE
5	20386	BOLT, 1/4-20 X 7-1/2"	16-18 IN-LBS
7	20962	SCREW, 10-16 X 3/4"	16-18 IN-LBS
8	20966	SCREW, 8-32 X 7/8"	18-20 IN-LBS

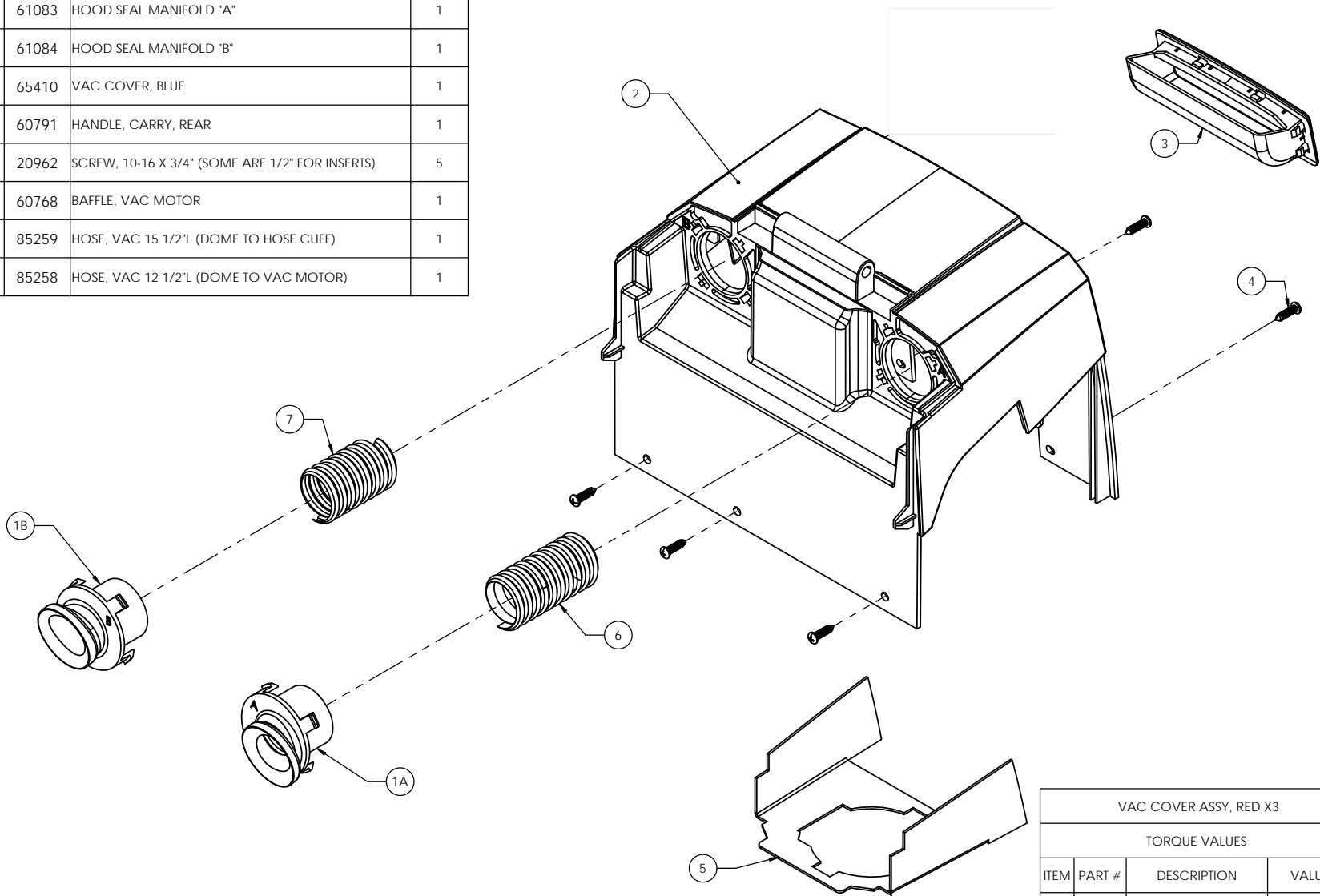
RugDoctor 4701 OLD SHEPARD PLACE
PLANO, TX 75093

TITLE: HANDLE ASSY	
ASSY. NO. 93082	DATE: 1/18/13
PAGE # 1	

VAC COVER ASSY, BLUE X3

REPLACEMENT PARTS AVAILABLE:

ITEM	PART #	DESCRIPTION	QTY
1A	61083	HOOD SEAL MANIFOLD "A"	1
1B	61084	HOOD SEAL MANIFOLD "B"	1
2	65410	VAC COVER, BLUE	1
3	60791	HANDLE, CARRY, REAR	1
4	20962	SCREW, 10-16 X 3/4" (SOME ARE 1/2" FOR INSERTS)	5
5	60768	BAFFLE, VAC MOTOR	1
6	85259	HOSE, VAC 15 1/2'L (DOME TO HOSE CUFF)	1
7	85258	HOSE, VAC 12 1/2'L (DOME TO VAC MOTOR)	1

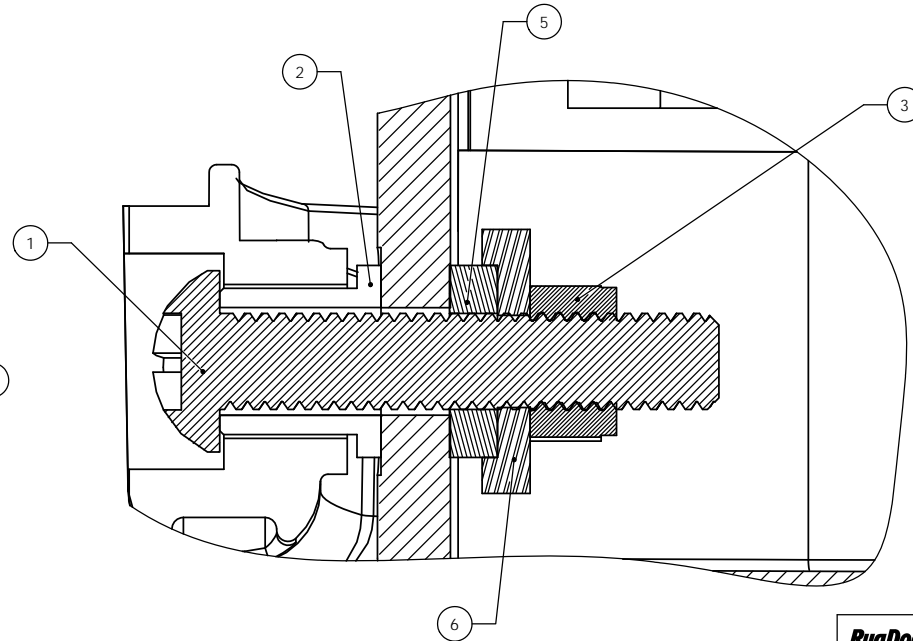
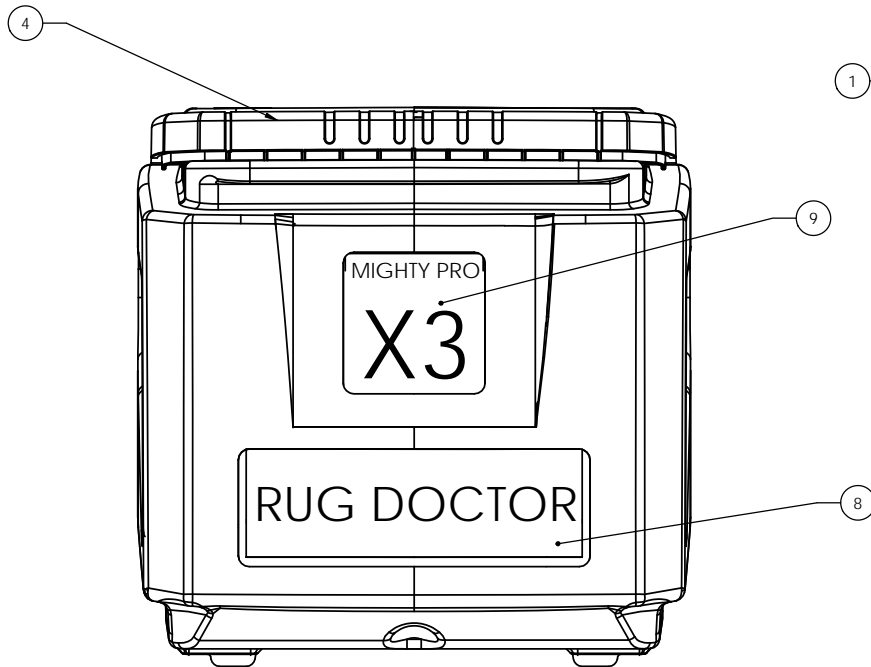
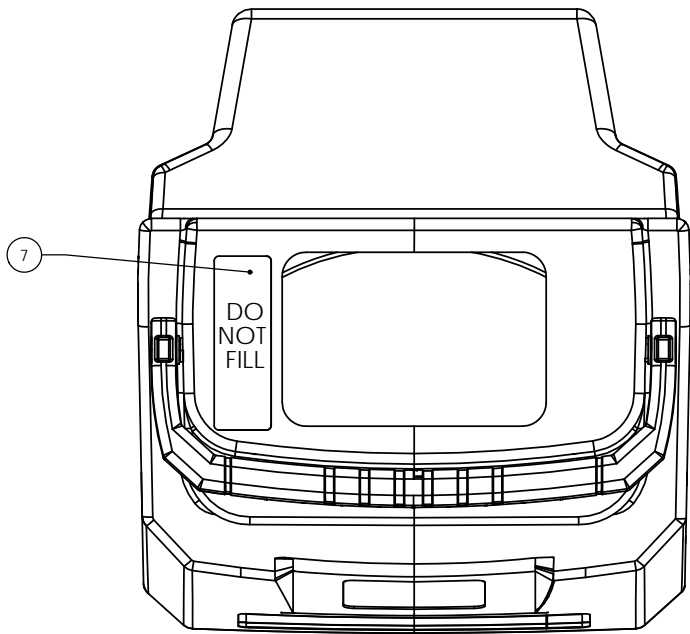


VAC COVER ASSY, RED X3			
TORQUE VALUES			
ITEM	PART #	DESCRIPTION	VALUE
5	20962	SCREW, 10-16 X 3/4"	14-16 IN-LBS

RugDodor 4701 OLD SHEPARD PLACE
PLANO, TX 75093

TITLE:
**VAC COVER ASSY,
BLUE X3**

ASSY. NO. DATE:
6/2/15



93084, RECOVERY TANK ASSY			
REPLACEMENT PARTS AVAILABLE:			
ITEM	PART #	DESCRIPTION	QTY
1	20960	SCREW, 1/4-20 X 1-1/4" SST	2
2	60793	BUSHING, RECOVERY TANK HANDLE	2
3	20237	NUT, LOCK, 1/4-20	2
4	45118	HANDLE, RECOVERY TANK	1
5	60279	GASKET, RECOVERY TANK, 1/4	2
6	60280	SOCKET WASHER	2
7	77023	LABEL, DO NOT FILL, UNIVERSAL	1
8	77004	LABEL, RD. LOGO	1
9	77005	LABEL, X3 LOGO	1

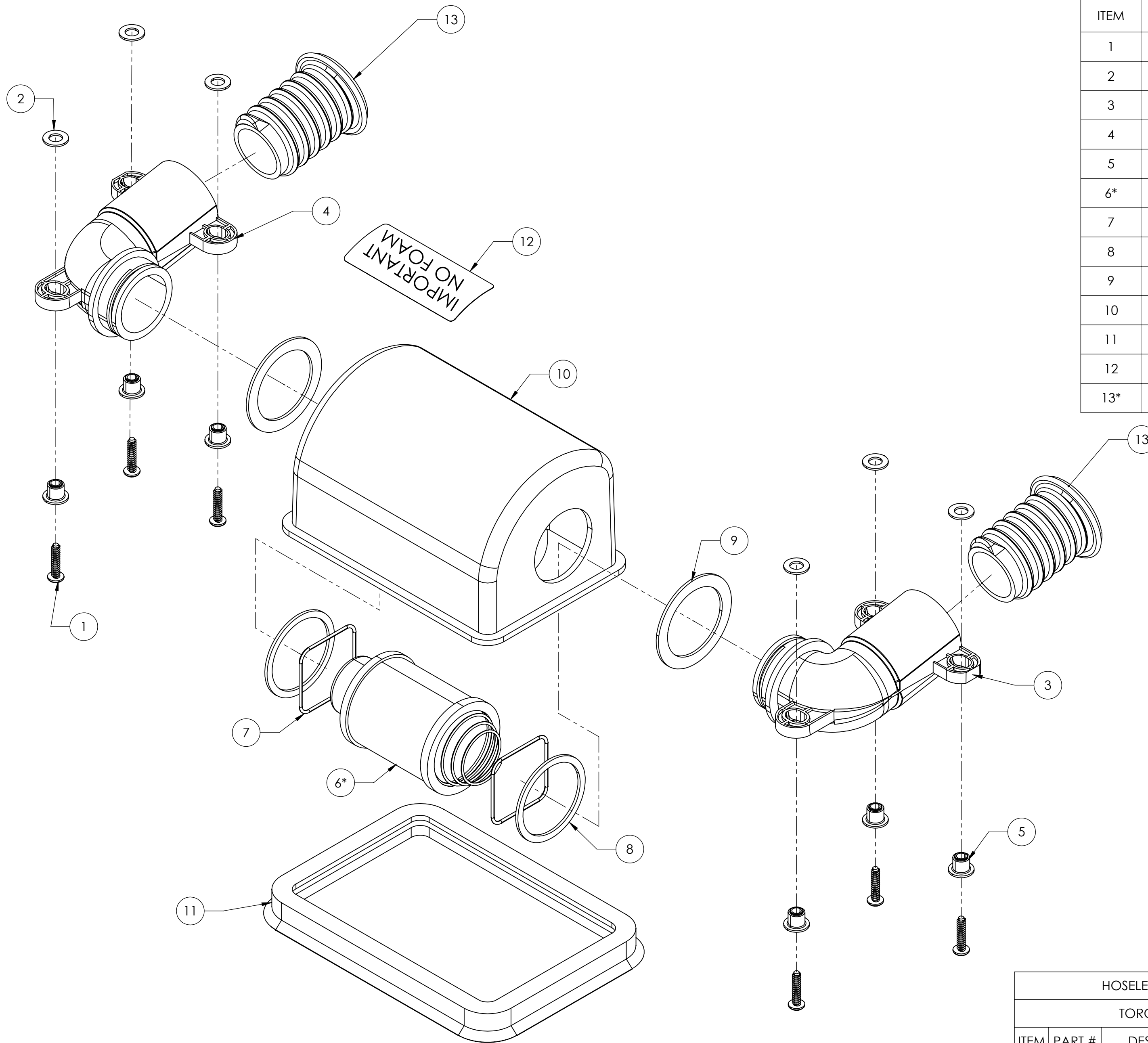
93084, RECOVERY TANK ASSY			
TORQUE VALUES			
ITEM	PART #	DESCRIPTION	VALUE
1	20960	SCREW, 1/4-20 X 1-1/4" SST	18-20 IN-LBS

RugDoctor 4701 OLD SHEPARD PLACE
PLANO, TX 75093

TITLE:
RECOVERY TANK ASSY

ASSY. NO. **93084** DATE: **1/18/13**

PAGE # 3



HOSELESS DOME ASSY			
REPLACEMENT PARTS AVAILABLE:			
ITEM	PART #	DESCRIPTION	QTY
1	20965	SCREW, 8-18 X 3/4" SST	6
2	20967	FLAT WASHER, 1/2" OD	6
3	60787	ELBOW, 90° FLANGE A	1
4	60771	ELBOW, 90° FLANGE B	1
5	45185	BUSHING, DOME ELBOW	6
6*	10460	FILTER SCREEN WITH SPRING	1
7	41183	CLIP, RETAINER	2
8	60196	WASHER, PLASTIC, BLACK	2
9	60591	GASKET, ELBOW 2" OD	2
10	60769	DOME, CLEAR	1
11	60770	GASKET, DOME	1
12	77006	DECAL, NO FOAM	1
13*	61082	DOME HOSE ADAPTOR	2

* ORDER SEPARATELY

HOSELESS DOME ASSY			
TORQUE VALUES			
ITEM	PART #	DESCRIPTION	VALUE
1	20965	SCREW, 8-18 X 3/4"	12-14 IN-LBS

RugDoctor 4701 OLD SHEPARD PLACE
Powering Through Carpet Care PLANO, TX 75093

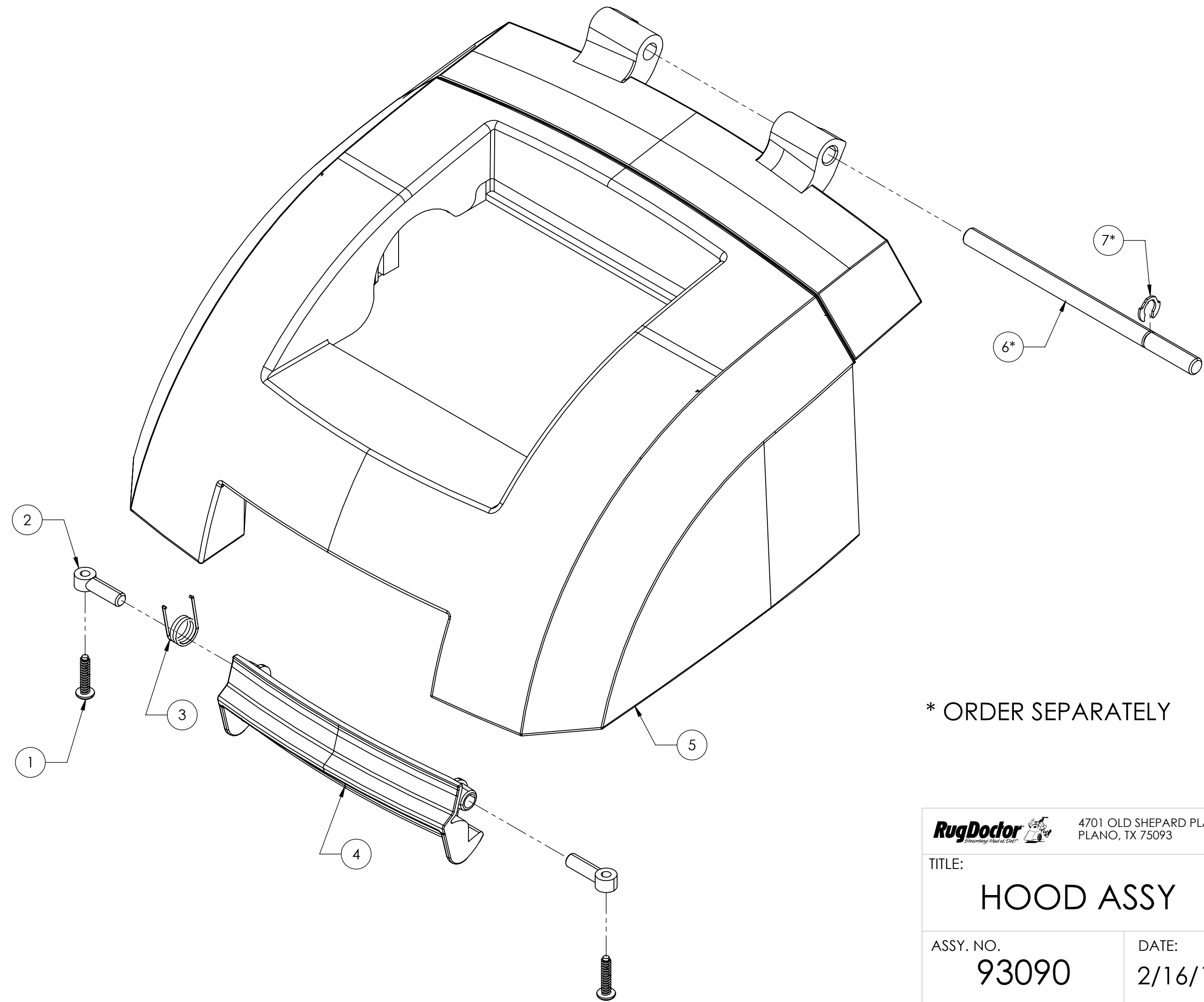
TITLE: **HOSELESS DOME ASSY**

ASSY. NO. DATE: **6/12/13**

93090, HOOD ASSY WITH LATCH AND PIN

REPLACEMENT PARTS AVAILABLE:

ITEM	PART #	DESCRIPTION	QTY
1	20965	SCREW, 8-18 X 3/4" SST	2
2	60790	PIN FOR LATCH	2
3	45186	SPRING FOR LATCH	1
4	60788	LATCH	1
5	60772	HOOD (DOME COVER)	1
6*	45184	SHAFT, 5/16"	1
7*	20604	RETAINING C-CLIP	1



* ORDER SEPARATELY

93090, HOOD ASSY WITH LATCH AND PIN

TORQUE VALUES

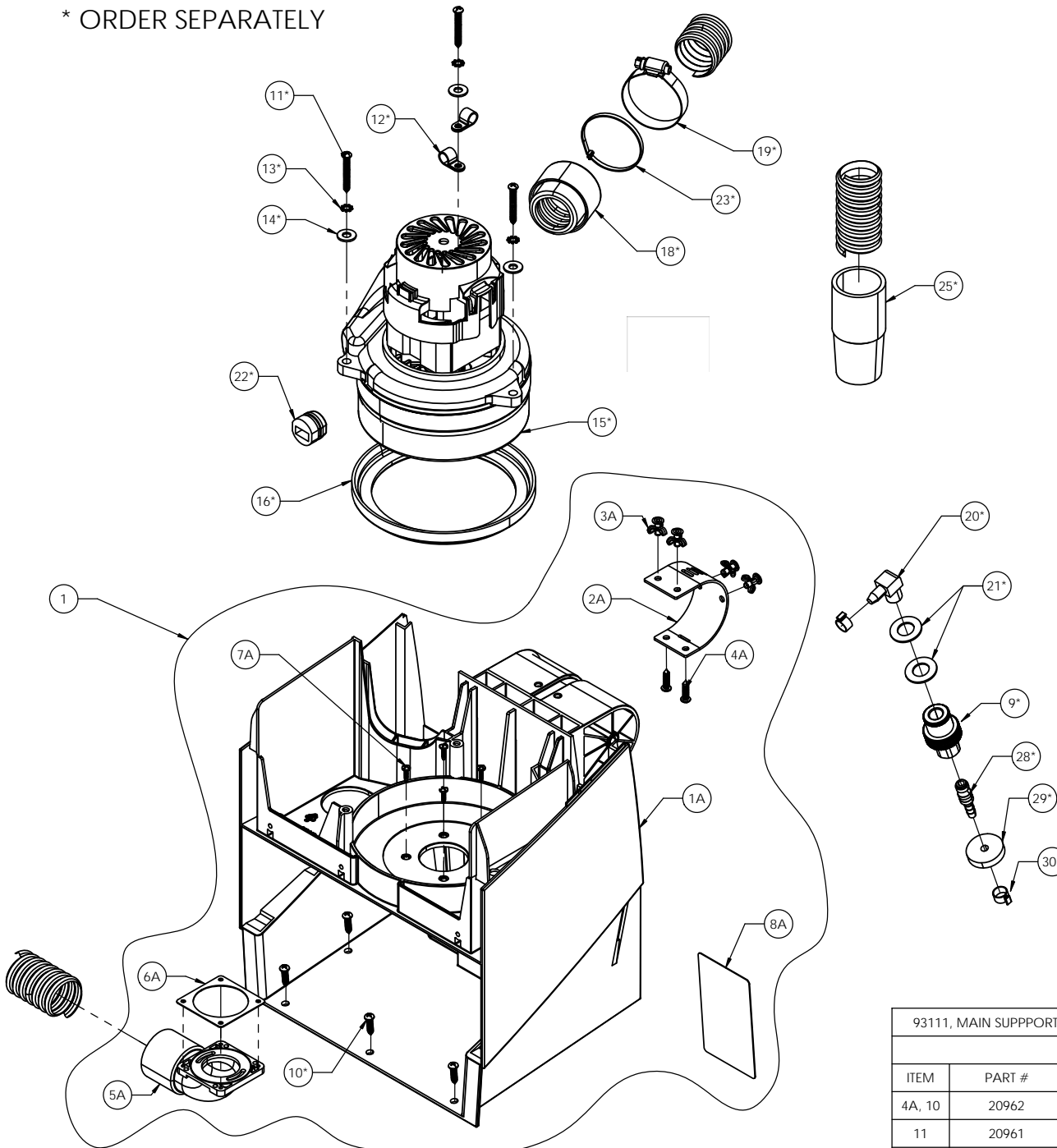
ITEM	PART #	DESCRIPTION	VALUE
1	20965	SCREW, 8-18 X 3/4" SST	12-14 IN-LBS

RugDoctor 4701 OLD SHEPARD PLACE
Cleaning Made Easy PLANO, TX 75093

TITLE:
HOOD ASSY

ASSY. NO. **93090** DATE: **2/16/11**

* ORDER SEPARATELY



93088, MAIN SUPPORT ASSY WITH GASKET, STRIKER PLATE AND ELBOW			
AVAILABLE REPLACEMENT PARTS:			
ITEM	PART #	DESCRIPTION	QTY
1	93088	MAIN SUPPORT ASSY, BLUE X3	1
1A	65413	MAIN SUPPORT, BLUE	1
2A	40215	STRIKER PLATE, 3-SLOT	1
3A	20983	RIVET, AL, 3/16" DIA., 188-.250GR	4
4A	20962	SCREW, 10-16 X 3/4, SST	2
5A	60661	ELBOW, VAC MTR	1
6A	60263	GASKET, ELBOW	1
7A	20348	SCREW, 6-20 X 1/2, SST	4
8A	77012	ETL LABEL	1
9*	80208	QUICK CPLR BRASS ORDER 93078 FOR KIT WITH ITEMS 28,29, & 30	1
10*	20962	SCREW, 10-16 X 3/4" SST	7
11*	20961	SCREW, 10-16 X 1-1/2" SST	3
12*	60796	CABLE CLAMP, P-CLIP	2
13*	19466	WASHER, LOCK #10 EXT	3
14*	20853	WASHER, FLAT #10	3
15*	50276	MOTOR, VAC 120V LINX	1
16*	65355	GASKET, VAC MOTOR	1
18*	60726	COUPLING, THREADED	1
19*	11996	CLAMP, HOSE 35-55mm	1
20*	80775	ELBOW, BRASS, 1/4"	1
21*	20907	WASHER, .562" ID	2
22*	60794	BUSHING, S/R	1
25*	80780	HOSE END, TAPERED	1
28*	80784	QUICK COUPLER NIPPLE	1
29*	60725	WASHER, RUBBER, 1-1/4" OD	1
30*	11845	CLAMP, HOSE, OETIKER	1

93111, MAIN SUPPPORT ASSY WITH GASKET, STRIKER PLATE AND ELBOW			
TORQUE VALUES			
ITEM	PART #	DESCRIPTION	VALUE
4A, 10	20962	SCREW, 10-16 X 3/4" SST	12-14 IN-LBS
11	20961	SCREW, 10-16 X 1-1/2" SST	18-20 IN-LBS
7A	20348	SCREW, 6-20 X 1/2, SST	4-5 IN LBS

RugDoctor 4701 OLD SHEPARD PLACE
PLANO, TX 75093

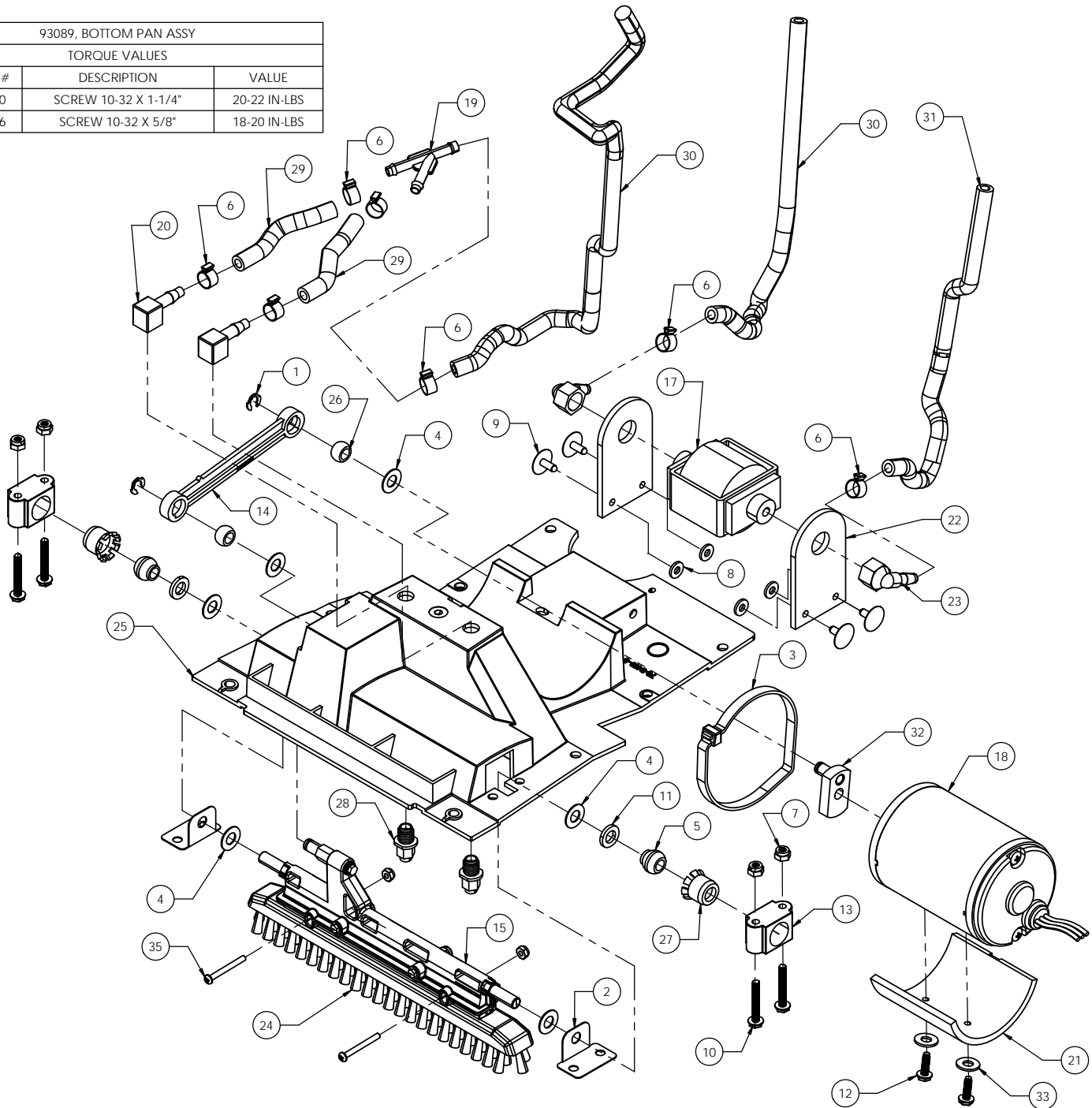
TITLE:
**MAIN SUPPORT ASSY,
BLUE X3**

ASSY. NO.	DATE:
93088	7/18/17

93089, BOTTOM PAN ASSY

TORQUE VALUES

ITEM	PART #	DESCRIPTION	VALUE
10	20390	SCREW 10-32 X 1-1/4"	20-22 IN-LBS
12	20906	SCREW 10-32 X 5/8"	18-20 IN-LBS



93089, BOTTOM PAN ASSY 120V

AVAILABLE REPLACEMENT PARTS:

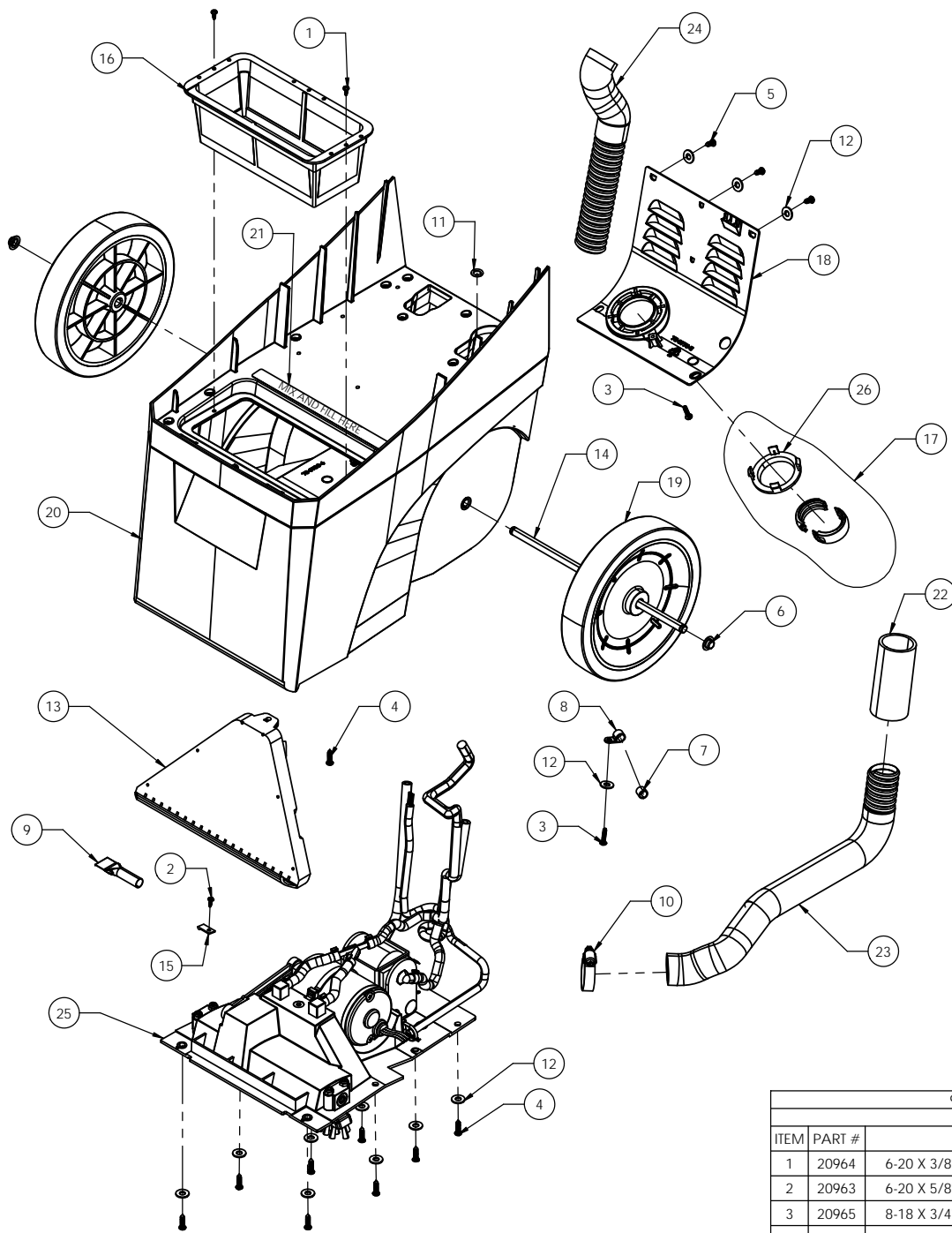
ITEM	PART #	DESCRIPTION	QTY
1	20604	RETAINING C-CLIP PO-25	2
2	60792	MYLAR SPLASH GUARD	2
3	60166	BLACK TIE, PASTIC STRAP	1
4	10316	WASHER, NYLON .341" ID, .68" OD, .06" THK	6
5	10341	BEARING PILLOW BLOCK	2
6	11845	CLAMP, HOSE, OETIKER 12mm	7
7	20231	NUT NYLOCK 10-32 SST	4
8	20266	WASHER AL .200" ID	4
9	20388	RIVET ALUM LARGE HEAD	4
10	20390	SCREW 10-32 X 1-1/4" FLANGE HEX HEAD	4
11	20840	WASHER, FELT 5/8"	2
12	20906	SCREW 10-32 X 5/8" FLANGE HEX HEAD	2
13	40353	PILLOW BLOCK	2
14	40388	DRIVE ARM SELF ALIGNING	1
15	45125	BRUSH HOLDER ASSY AL	1
17	12158	PUMP REPAIR KIT	1
18	92979	BRUSH MOTOR KIT	1
19	60138	CONNECTOR Y	1
20	60139	FITTING, BARB, 90°	2
21	60598	GASKET, MOTOR 3/16" THK RUBBER, 4" X 3"	1
22	60720	PUMP MOUNT, 3/16" THK RUBBER	2
24	60779	BRUSH STRIP ASSY	1
25	65415	BOTTOM PAN	1
26	80596	BUSHING DRIVE ARM	2
27	80597	SLEEVE HOLDER BEARING	2
28	80819	SPRAY JET TIP 110° NYLON	2
29	85231	SOL. HOSE REINF. 1/4" X 3" L	2
30	85253	SOL. HOSE REINF. 1/4" X 18-1/2" L	2
31	85254	SOL. HOSE REINF. 1/4" X 35-1/4" L	1
32	90069	CAM ASSEMBLY	REF
33	20853	WASHER FL #10 X .518" O.D.	2
34	55320	CORD, 18/4, INTERNAL, 37", GRAY (NOT SHOWN)	1
35	92652	KIT, BRUSH 6-32 SCREW/LOCK NUT SST (2 EACH)	1



4701 OLD SHEPARD PLACE
PLANO, TX 75093

TITLE:
BOTTOM PAN ASSY

ASSY. NO. 93089	DATE: 7/21/15
---------------------------	-------------------------



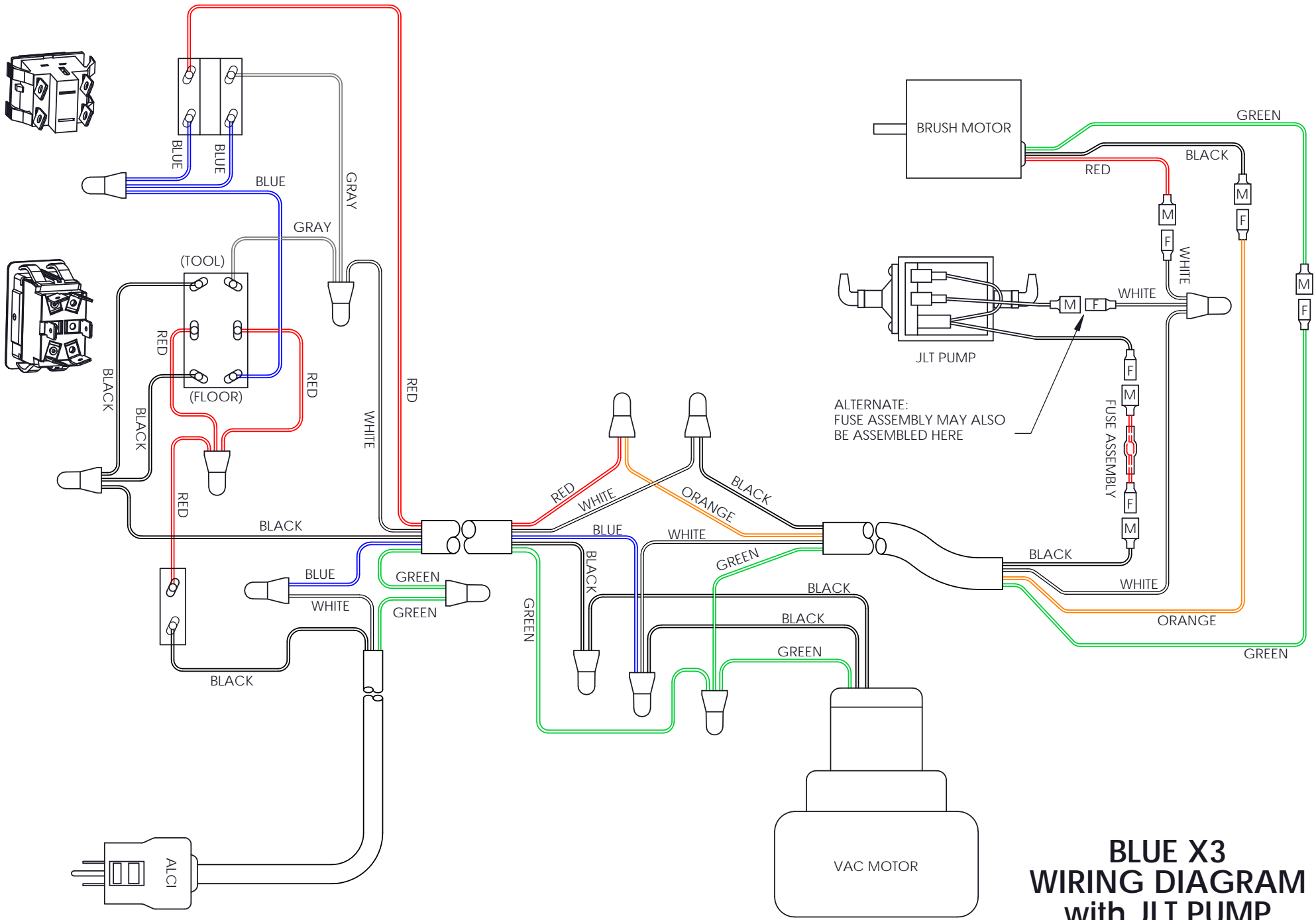
93081, LOWER TANK ASSY			
AVAILABLE REPLACEMENT PARTS			
ITEM	PART #	DESCRIPTION	QTY
1	20964	6-20 X 3/8" SST PHILLIPS BUTTON HEAD SCREW	2
2	20963	6-20 X 5/8" SST PHILLIPS BUTTON HEAD SCREW	1
3	20965	8-18 X 3/4" SST PHILLIPS BUTTON HEAD SCREW	2
4	20962	10-16 X 3/4" SST PHILLIPS BUTTON HEAD SCREW	9
5	20968	10-16 X 1/2" SST PHILLIPS BUTTON HEAD SCREW	3
6	45183	3/8" HUB CAP	2
7	60798	GROMMET FOR CABLE SJT	1
8	60796	CABLE P CLAMP	1
9	10461	LINE STRAINER, SUMP FILTER, 2-1/2" L	1
10	11995	CLAMP HOSE 25-40mm SST, ZINC SCREW	1
11	60797	O-RING 9/16" O.D.	1
12	20853	WASHER FL #10 X .518" O.D.	12
13	45123	NOZZLE FLOOR WITH ROLLED LIP	1
14	45124	REAR AXEL 3/8" DIA X 11 1/2" L	1
15	60262	TAB SUMP LINE RETAINER	1
16	60400	FILTER SCREEN 9.11" L	1
17	93079	SPLIT GROMMIT KIT	1
18	60776	VENT PANEL	1
19	60778	WHEEL TIRE 8" DIA. SMOOTH HUB	2
20	65414	BLUE TANK HOUSING COMPLETE W/ BUSHINGS	1
21	77001	MIX AND FILL HERE LABEL	1
22	80773	HOSE END ENLARGED	1
23	85246	VAC HOSE 18" L (NOZZLE TUBE)	1
24	85250	VAC HOSE EXHAUST 22" L	1
25	93089	BOTTOM PAN SUB ASSY	1
26	60767	GROMMET RETAINER	1

93081, LOWER TANK ASSY			
TORQUE VALUES			
ITEM	PART #	DESCRIPTION	VALUES
1	20964	6-20 X 3/8" SST PHILLIPS BUTTON HEAD SCREW	2-3 IN-LBS
2	20963	6-20 X 5/8" SST PHILLIPS BUTTON HEAD SCREW	2-3 IN-LBS
3	20965	8-18 X 3/4" SST PHILLIPS BUTTON HEAD SCREW	14-16 IN-LBS
4	20962	10-16 X 3/4" SST PHILLIPS BUTTON HEAD SCREW	14-16 IN-LBS
5	20968	10-16 X 1/2" SST PHILLIPS BUTTON HEAD SCREW	12-14 IN-LBS

RugDoctor 4701 OLD SHEPARD PLACE
Powering Through Since 1978 PLANO, TX 75093

TITLE:
LOWER TANK ASSY

ASSY. NO. 93081	DATE: 1/18/13
---------------------------	-------------------------



**BLUE X3
WIRING DIAGRAM
with JLT PUMP**